

Features

- Small size and lightweight GPS receiver with integrated antenna.
- 12 channel receiver.
- Position accuracy 15m (50ft).
- High impact, corrosion-proof polycarbonate resin construction.

Description

The GPS receiver obtains actual vehicle position and velocity from up to 12 different satellites. It sends information to the Black Box serial (COM) port once every second.

Specifications

- Operating temperature: -30°C to 75°C.
- Power supply: 180mA max., 5VDC.
- Receiver dimensions: 58mm x 22mm.
- Update rate: 1Hz.
- Acquisition time: 18sec.
- Accuracy: position: 15m. (50ft.) and velocity: 0.185km/h (0.114MPH).
- Weight: 331 grams (11.68 oz).

Installation

- Install the sensor on top of the vehicle, such that there is no obstruction between the integrated antenna and the sky.
- Connect the sensor to a COM input of the system.
- Do not expose wire/connector to water, oil or fuel.
- Route the sensor cable away from sources of interference, such as ignition coils, plug leads, electronic modules or antennas.
- Verify that the cable is not pinched or stretched by moving parts.
- Do not bend cable with curvature radius smaller than 1.60" [40 mm].



Calibration

COM Port Activity: COMGPS-G44

For more details on how to setup the COMGPS-G44 with the Recorder, visit the **Recording and Data Processing** section of the User's Manual.

All dimensions are in inches [millimeters].

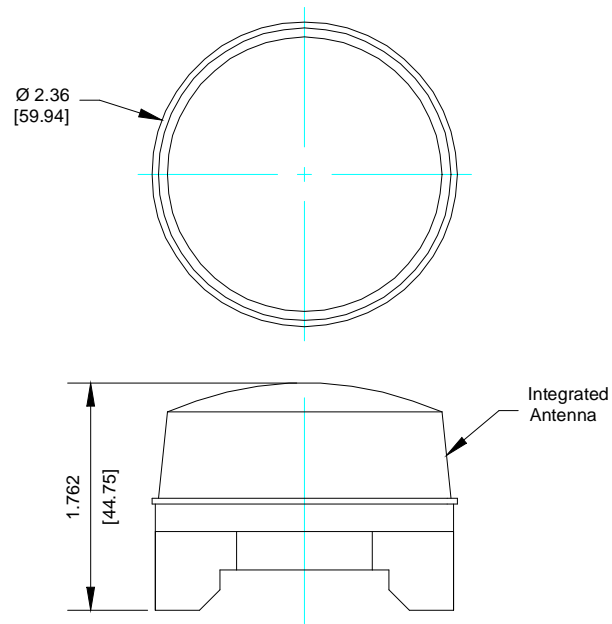


Figure 2 - COMGPS-G44

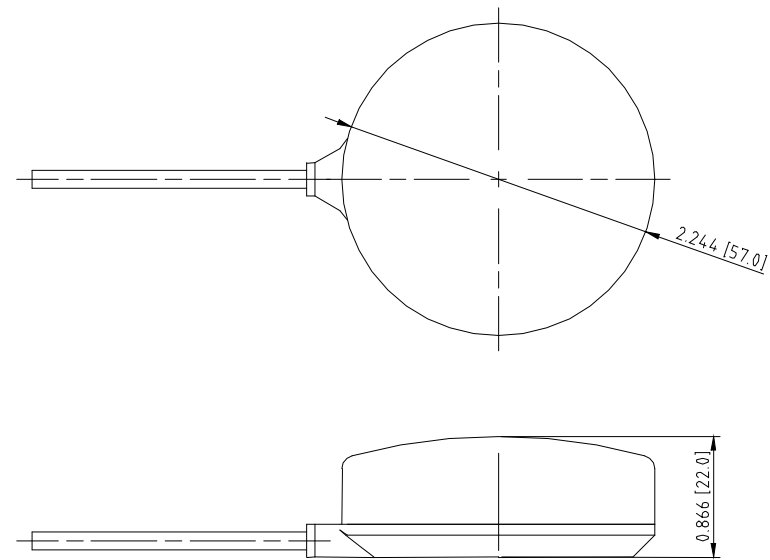


Figure 1 - COMGPS-G48