

### Features

- Contains a Palm™ m515 device.
- Crisp color display shows:
  - Up to 20 parameters on 5 pages
  - High contrast alarms
  - Black box status
- Vibration lock™ connector - Mil spec, no tools required.
- Rugged anodized aluminum enclosure available in blue or black.
- Compatible with the V7 Professional System, V6 Professional System and the V6 Standard System.

### Description

The aluminum enclosure encapsulates a Palm™ m515 device. The color display is configurable for up to 20 parameters on 5 pages. Any of the Black Box channels (recorded or not) and the lap time may be displayed. Alarms on high or low value will show on a high contrast black background. The Black Box status is displayed on the bottom left corner.

Buttons description: (from left to right)

- Page switch
- Backlit on/off
- Not Used
- Read the Black Box configuration

### Specifications

- Power consumption:
  - Operating: 5 to 50mA
  - Charging: 100 to 500mA
- Dimensions:
  - Enclosure: 86 x 123 x 20 mm  
(4.75" x 3.5" x 0.75")
  - LCD: 57 x 57mm  
(2.24" x 2.24")
- Total weight with Palm m515: 529g. (18.66oz).
- Palm m515 specifications: (as specified by Palm™)
  - Operating temperature: -5°C to 45°C
  - Storage temperature: -20°C to 60°C
  - Operational altitude: 3 000m (10 000ft)



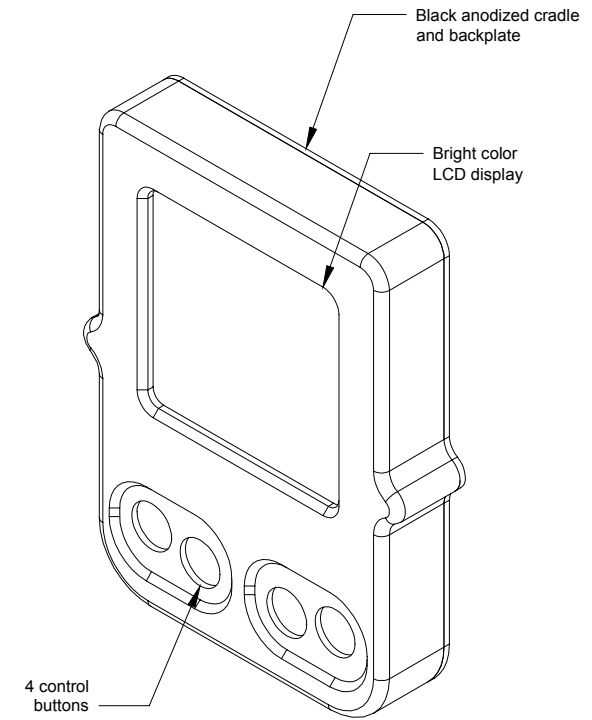
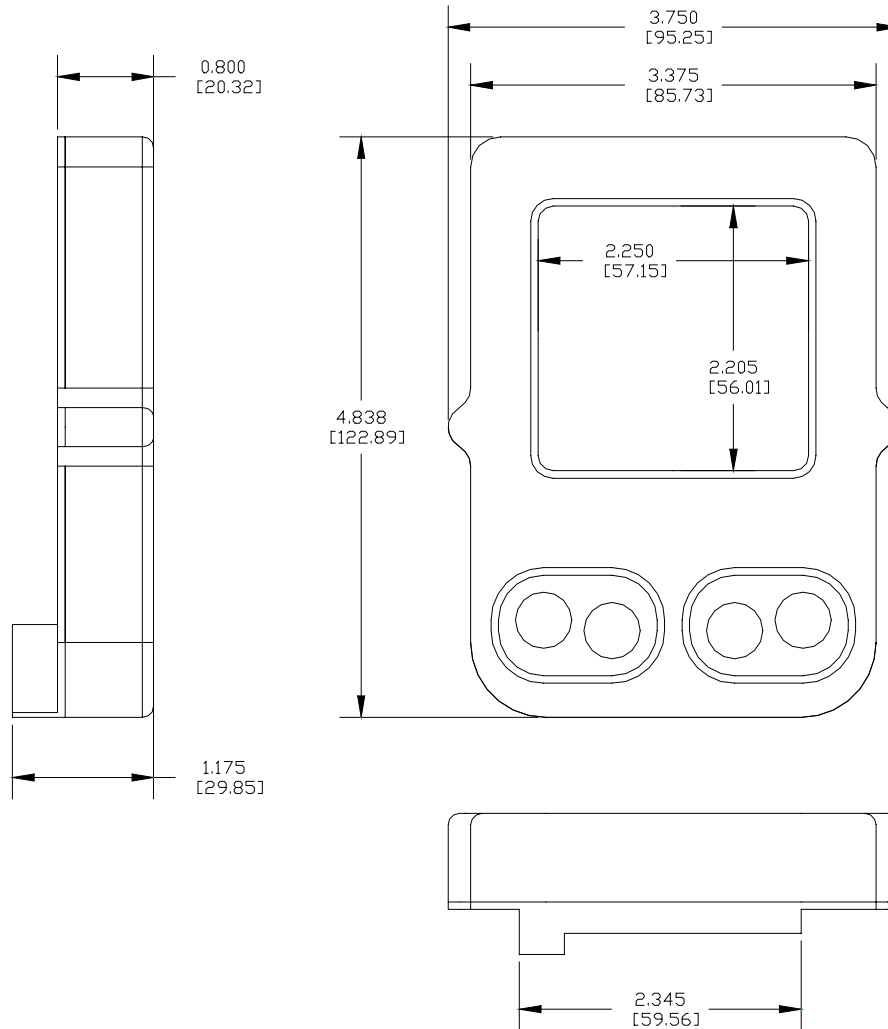
### Installation

- Connect to the COM connector of the Black Box, or to the charging communication module MODCHG.
- Use the MODCHG to charge the PALM m515's internal battery while operating the device. Otherwise, after 3 hours of use, hook the PALM™ 110Vac wall adapter to the 9-pin D-SUB connector of the display with the ISAAC charger adapter.
- Do not place the display near sources of interferences, such as ignition coils, plug leads, electronic modules or antennas.
- Verify that cable is not trapped or stretched by surrounding moving part.
- Do not bend cable with curvature radius less than 1.60" [40 mm].
- Protect the display from extreme vibrations.
- Do not place display near a thermal energy source such as exhaust pipe, high power electrical component, etc.

### Calibration

- Quickly configure the display with the PC. See the *Display Configuration* section of the ISAAC V6 user manual for more details.
- Read the Black Box configuration pressing the right button twice.

**DSPLCD**



All dimensions are in inches [millimeters].